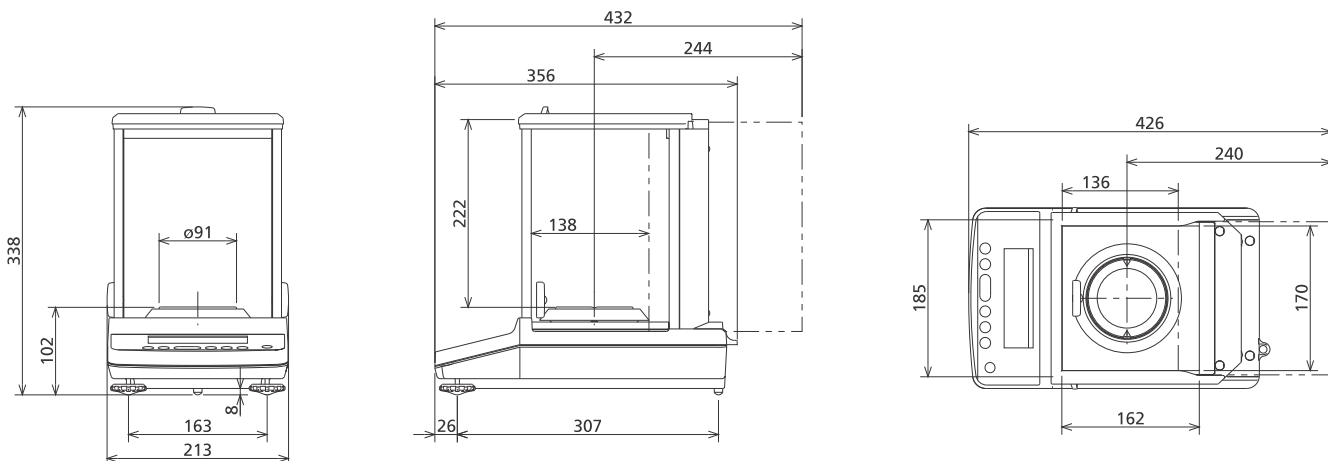


UniBloc Analytical Balances

ATX/ATY Series



Dimensions



Specifications

ATX/ATY series

Model	ATX84	ATX124	ATX224	ATX324	ATY64	ATY124	ATY224	ATY324
Capacity	82g	120g	220g	320g	62g	120g	220g	320g
Minimum Display	0.1mg							
Repeatability (Standard Deviation)	≤ 0.1 mg							
Linearity	± 0.2 mg							
Stabilisation Time*1	Approx. 3.0 seconds							
Operating Temperature and Humidity Limits	5-40°C 20-85%*2							
Temperature Coefficient for Sensitivity (10-30°C)	± 2 ppm/°C							
Pan Size (mm) approx.	$\phi 91$							
Main Body Dimensions (mm) approx.	213(W) \times 356(D) \times 338(H)							
Main Body Weight (kg) approx.	6.2				6.0			
Power Requirement	12V, 1A							
Internal Calibration	●				—			

*1 The Stabilisation time is a representative value

*2 No condensation

Options

Description
EP-100 Printer
EP-110 Printer
I/O-RS cable
Protection Cover
STABLO-AP Ionizer
USB conversion kit



Weighing results and analysis results can be stored in a database. Reports can be generated according to results in a prescribed format.

Analytical Balance
AT series



Weighing results by Balance



Analysis results by LC



UHPLC
Nexera X2



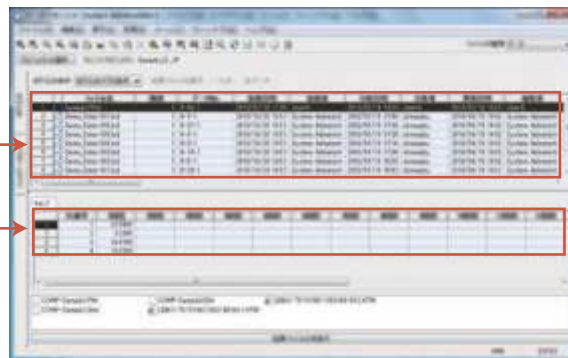
Database

LabSolutions software can store analysis results and weighing results in a database at the same time.

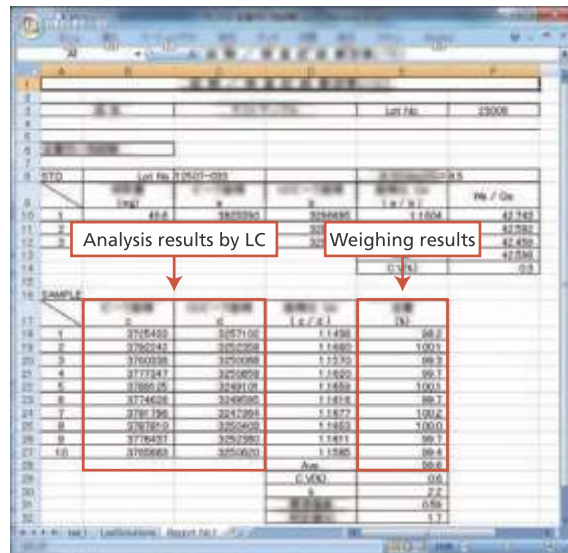
* The optional software (LabSolutions Balance) is required in order to connect with LabSolutions.

Analysis results by LC

Weighing results by Balance



Report example



The report can be generated automatically according to results.

